



SUPERFLEX SUCTION ARM | DESCRIPTION

The Superflex suction arm removes fumes and particles directly at the working place.

When using laughing gas, bondings and other materials and when grinding in acrylate, fumes and particles, it is a health risk for treater and the patient. Superflex suction arm prevents these risks.

This way you can avoid uncomfortable working positions and you can have an optimal ergonomic working place. The suction arm is placed near the working place and the flexible mouth piece can be placed at the instrument tray or at the chair side, when doing acrylic moulding.

The bendings on the arm can rotate 360 degrees and therefore gives an optimal flexibility. The integrated silencer ensures a minimum of noise for both clinic personal and patient.

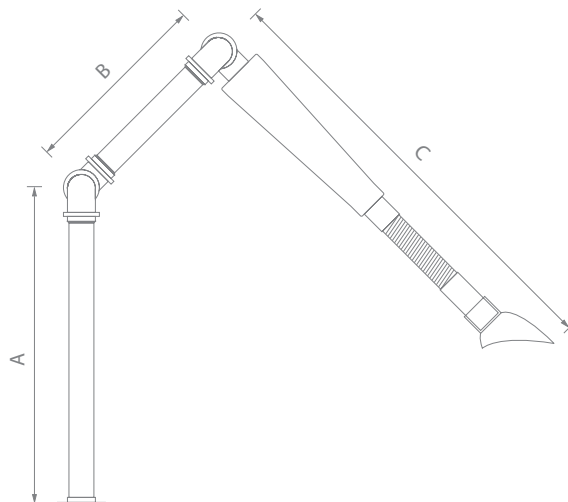
The Superflex suction arm is connected to a middle pressure ventilator and can also be built as a double stringed system, so that highpressure suction can be used for removal of acrylic and other firm materials. You can switch between 2 functions only by pressing a contact.

SUPERFLEX SUCTION ARM | FEATURES

Features of the Superflex suction arm include:

- ✓ Low noise
- ✓ High air volume
- ✓ Flexible positioning
- ✓ Standard and custom designed models





DIMENSIONS

PRODUCT	ITEM NO.	LENGTH (A)	LENGTH (B)	LENGTH (C)	OUTLET	WEIGHT
Superflex for table	900122	635 mm	390 mm	900 mm	Ø50 mm	2,5 kg
Superflex for wall	900144	635 mm	390 mm	900 mm	Ø50 mm	2,5 kg
Superflex for ceiling	900202	635 mm	390 mm	900 mm	Ø50 mm	9 kg

ACCESSORIES

PRODUCT	ITEM NO.	DIAMETER	LENGTH	WEIGHT
Mouthpiece, w. edge	901141	Ø40 mm	-	0,05 kg
Mouthpiece, straight	901143	Ø40 mm	-	0,06 kg
Mouthpiece, Ø200 mm	901147	Ø40 mm	-	0,13 kg
Flexible tube	901110	Ø40 mm	250 mm	0,1 kg
Flexible tube	901111	Ø40 mm	330 mm	0,13 kg
Flexible tube	901112	Ø40 mm	470 mm	0,2 kg

RELATED PRODUCTS



PRODUCT	PAGE NO.
CP Suction motors	SM 03



PRODUCT	PAGE NO.
CP Ventilators	SM 04