



DMEGA SUCTION MOTORS | DESCRIPTION

The DMEGA Teravac is a modern suction motor. With state of the art technology inside this product delivers exactly what you can expect from a modern suction motor.

Just to mention some of the features:

Automatic pressure sensor enables reaction to supply optimal vacuum power for the use. When only 1 unit is working it operates at a low constant flow level, to save energy and extend the overall motor life time.

The double impella ensures total separation from fluids and air. A teflon ring in the suction chamber prevents breakdowns in motor and impeller, which again extends the lifetime.

The Teravac suction motor is available in two versions. A Teravac 3000 that works with up to 3 units, and the Teravac 6000 that works with up to 6 units.

MODELS | WHICH ONE TO CHOOSE?

1 - 3 DENTAL UNITS
TERAVAC 3000

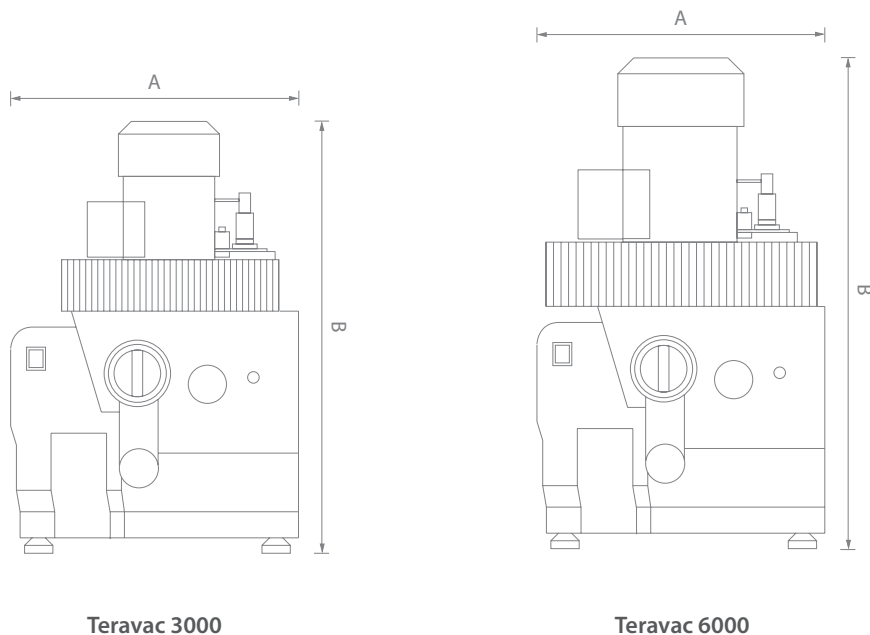
1 - 6 DENTAL UNITS
TERAVAC 6000

DMEGA SUCTION MOTORS | FEATURES

Features of the DMEGA Teravac suction motors include:

- ✓ Frequency transformed motor
- ✓ Pressure sensor
- ✓ Teflon gasket
- ✓ Energy saving





Teravac 3000

Teravac 6000

DIMENSIONS

PRODUCT	ITEM NO.	WIDTH (A)	HEIGHT (B)	DEPTH (C)	INLET	OUTLET	WEIGHT
Teravac 3000	DM3000	440 mm	660 mm	540 mm	Ø50 mm	Ø25 mm	32 kg
Teravac 6000	DM6000	440 mm	750 mm	570 mm	Ø50 mm	Ø25 mm	37 kg

SPECIFICATIONS

PRODUCT	VOLTAGE	POWER	CURRENT	REG. VACUUM	MAX VACUUM	SPEED	NOISE
Teravac 3000	230 V AC	0,63 kW	3,5 - 4 Amp	200 mBar	370 mBar	0 - 3980 rpm	59 db (A)
Teravac 6000	230 V AC	1,3 kW	4,5 - 5 Amp	200 mBar	370 mBar	0 - 3740 rpm	61 db (A)

RELATED PRODUCTS



PRODUCT	PAGE NO.
Spitton	VL 01



PRODUCT	PAGE NO.
Hoses	MS 01



PRODUCT	PAGE NO.
Mount parts	MS 02



PRODUCT	PAGE NO.
Amalgam filter	FL 01