



SPITTON | DESCRIPTION

The construction of Rectus spitton valve is based on a very simple principle which does not include any electrical functions.

The spitton valve is mounted inside or on the outside of the unit and connected to the hose between the spitton bowl and the suction pipe.

When water from the spitton fills up the valve, the floater opens for the vacuum and sucks out the water.

When the valve is emptied the floater will close for the vacuum.

In cases when larger particles are stocked in the valve, the lid is taken off and the valve is simply cleaned with water.

The spitton valve is available in 4 different models with the inlet on the front, right, left and rear site.

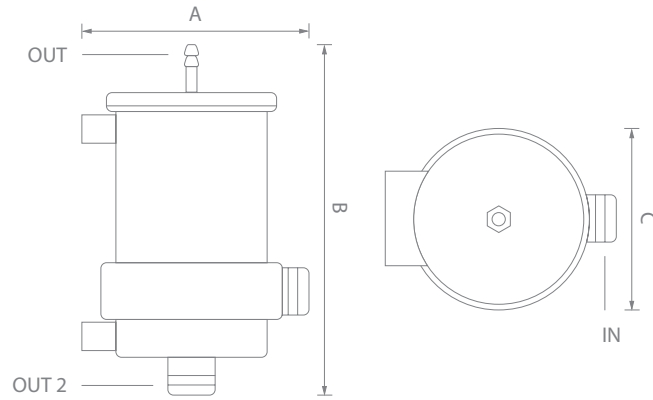
A standard package of bracket for mounting and connection fittings are included.

SPITTON | FEATURES

Features of the spitton valve include:

- ✓ Easy to install
- ✓ No electrical parts
- ✓ Easy to maintain
- ✓ Simple and reliable





DIMENSIONS

PRODUCT	ITEM NO.	WIDTH (A)	HEIGHT (B)	DEPTH (C)	INLET	OUTLET 1	OUTLET 2	WEIGHT
Spitton valve, F	880090	120 mm	185 mm	95 mm	Ø 25 mm	Ø 5 mm	Ø 25 mm	0,4 kg
Spitton valve, R	880089	120 mm	185 mm	95 mm	Ø 25 mm	Ø 5 mm	Ø 25 mm	0,4 kg
Spitton valve, L	880088	120 mm	185 mm	95 mm	Ø 25 mm	Ø 5 mm	Ø 25 mm	0,4 kg
Spitton valve, B	880087	120 mm	185 mm	95 mm	Ø 25 mm	Ø 5 mm	Ø 25 mm	0,4 kg

RELATED PRODUCTS



PRODUCT PAGE NO.

Sep-it ST 02



PRODUCT PAGE NO.

Separation tanks ST 01



PRODUCT PAGE NO.

R5 Suction motor SM 01



PRODUCT PAGE NO.

Dmega suction motor SM 02



PRODUCT PAGE NO.

Mount parts MS 02



PRODUCT PAGE NO.

Suction hoses MS 01